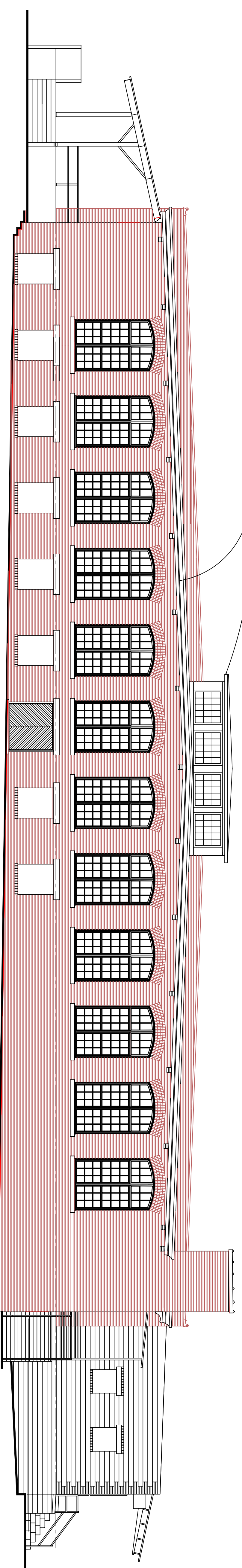
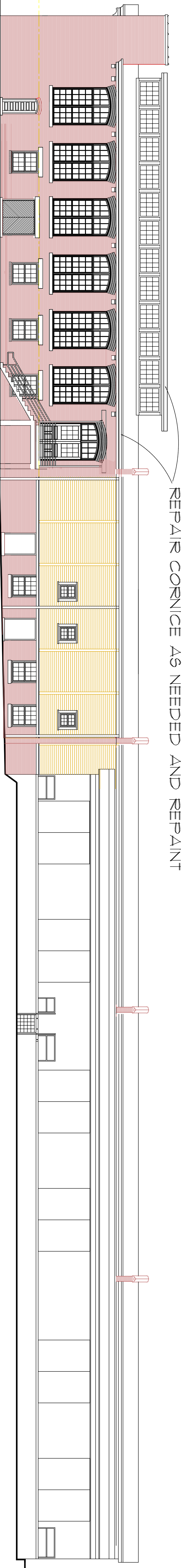


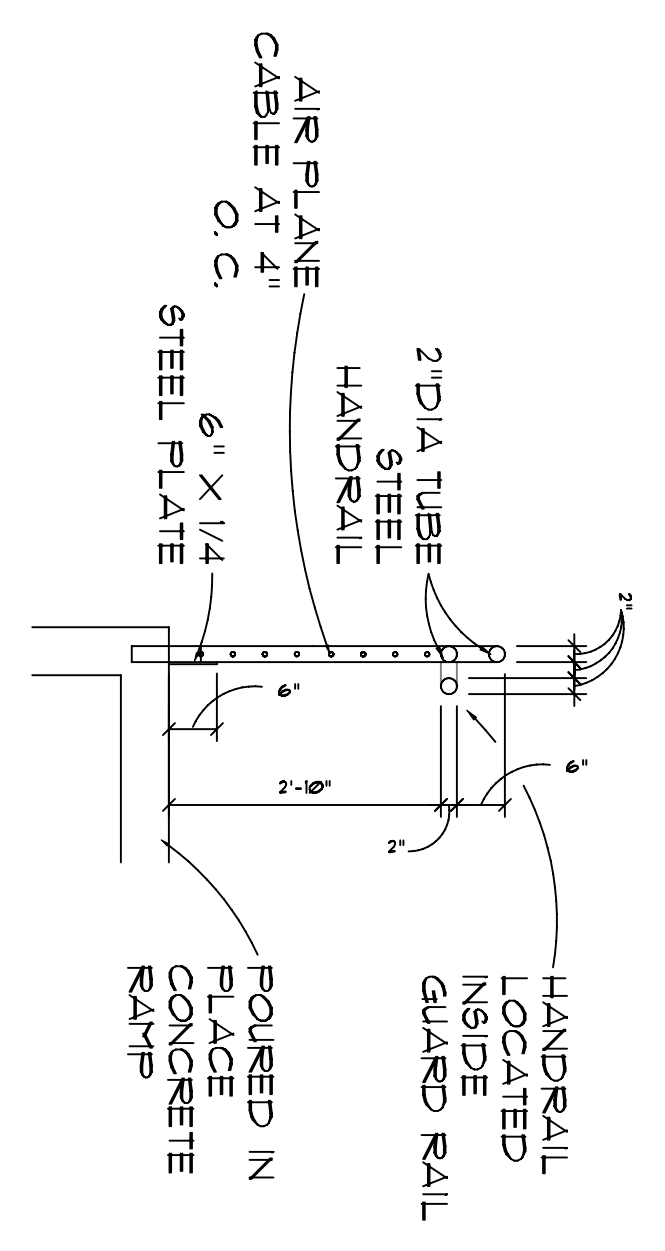
EAST ELEVATION  
SCALE 1/8" = 1'-0"



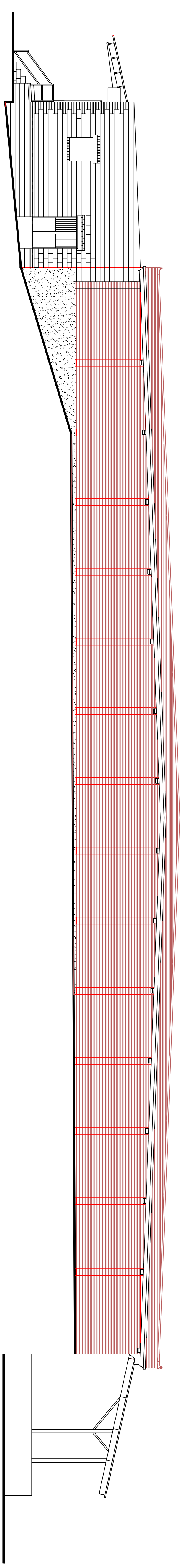
NORTH ELEVATION  
SCALE 1/8" = 1'-0"



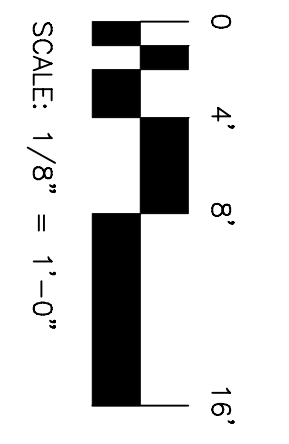
WEST ELEVATION  
SCALE 1/8" = 1'-0"



RAMP HANDRAIL DETAIL  
SCALE 1/2" = 1'-0"



WEST ELEVATION  
SCALE 1/8" = 1'-0"



SCALE 1/8" = 1'-0"

**CAMPBELL MEEK & ASSOCIATES ARCHITECTS, INC.**

ARCHITECTURE PLANNING INTERIORS • ENOREE, SOUTH CAROLINA MMEEK@MEEKARCH.COM (864)-909-3373

COMM. 1217	DRAWN M. MEEK	TOWN OF PACOLET- CLOTH ROOM AND WAREHOUSE	ELEVATIONS
DATE 2 OCTOBER 2013	CHECKED M. MEEK	HUY 25	PACOLET, S.C.

